



## BASE FRAME MOBILE

The lightweight for mobile snowmaking



■ Bächler Top Track AG  
■ Snowtechnology  
■ Industriestrasse 3  
■ CH-5644 Auw

■ +41 (0)56 677 71 00  
■ +41 (0)56 677 71 01  
■ [www.bachler.ch](http://www.bachler.ch)  
■ [info@bachler.ch](mailto:info@bachler.ch)

piste & tracks

snowmaking

fun

## BASE FRAME MOBILE

### The lightweight for mobile snowmaking

The installation of the base frame occurs before winter with a wheeled vehicle on the mounted wheels or with a snow groomer on the snow. The mobile allows a very easy relocation of the complete snowmaking system including compressor and fully automatic system. With the rake blade adapter the snow groomer can relocate the lance to the favoured place. The level control takes place over 4 crank spindles.

The low-maintenance lances are arbitrary in lengths between 3 and 10m. The nozzles are out of hard-anodised aluminium.

The circa 300 kg weighty base frame (gross weight + 465 kg rear weight variable) can be assembled with a rotary compressor.

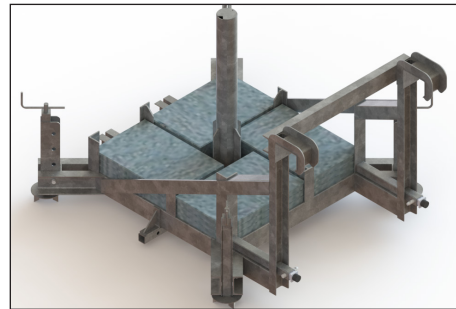
Whether fully automated with weather station and automatic connection by falling temperatures or shiftable by hand, you get a white surprise.

### Specifications:

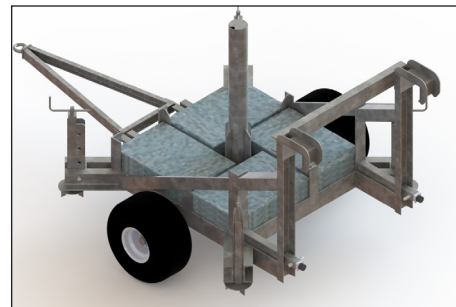
- Regulation of level with 4 manual screws up to 600 mm
- Wheelset and towing bar fixable (optional)
- 1.5 kW compressor (optional)
- Galvanised steel chassis

### Technical data:

Length:	1900 mm
Width without wheels:	1550 mm
Width with wheels:	1750 mm (easy removable)
Height (without lance):	1150 mm
Weight:	300 kg
Rear weight (variable):	465 kg (16x 29 kg)
Lance:	up to 10 m



Base frame mobile



Mobile using wheels and tongue