



COMBI-PITVALVE

Modular combi-pitvalve system

Bächler Top Track AG
Snowtechnology
Industriestrasse 3
CH-5644 Auw

+41 (0)56 677 71 00
+41 (0)56 677 71 01
www.bachler.ch
info@bachler.ch



piste & tracks

snowmaking

fun

COMBI-PITVALVE

Modular combi-pitvalve system

The very compact combi-pitvalve with combined control of water and air in the basic is perfectly suited for use with NESSy/SnoTek.

The modular construction allows to convert easily from a manually operated to an automated version. The smartly engineered design allows to build up to 3 additional water steps. This can also be retrofitted.

The additional steps are supplied directly from the main step with water which allows an absolute variable use of the additional steps. Each step has its own draining. The system has an emergency-closing unit in the automated version, which closes the main valve (water/air) in the currentless state.

Pressure sensor sockets for both supply lines are existed, which can be assembled if necessary with appropriate sensors.

Types

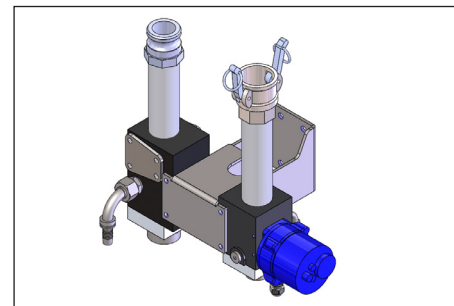
- Combi-pitvalve V1 manual
- Combi-pitvalve V1 automated
- Combi-pitvalve V2-OV automated
- Combi-pitvalve V3-OV automated

Technical data

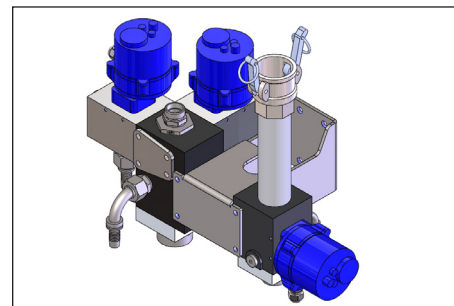
manual	- 7.5 turns per shifting travel
automated	- currentless closing
	- high quality actuators



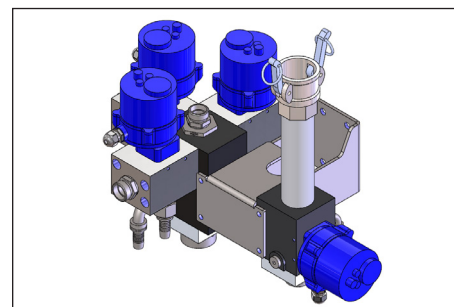
Combi-pitvalve V1 manual



Combi-pitvalve V1 automated



Combi-pitvalve V2-OV automated



Combi-pitvalve V3-OV automated