



COMPRESSOR WITH MOUNTING BRACKET

compact, quiet and economical

■ Bächler Top Track AG
■ Snowtechnology
■ Industriestrasse 3
■ CH-5644 Auw

■ +41 (0)56 677 71 00
■ +41 (0)56 677 71 01
■ www.bachler.ch
■ info@bachler.ch



piste & tracks

snowmaking

fun

COMPRESSOR WITH MOUNTING BRACKET

The compact and quiet compressor, which is installed in a box of aluminium, feeds a NESSy or SnoTek with sufficient compressed air.

The compressor has an electrical box, which is connected with a 4m cable including a 63 ampere plug. The box allows the direct connection of the headlamp which can be used comfortable over a three-way contactor.

Advantages

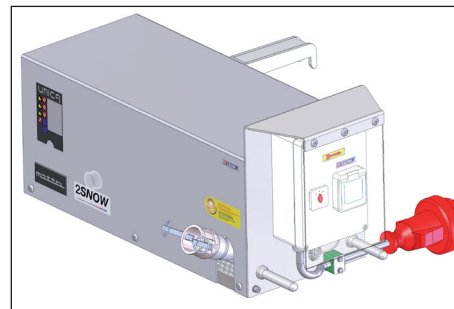
- quiet rotary compressor
- compact construction, manageable
- easy installation on a MAV bracket
- automatic draining valve for condensation water

Electrical box

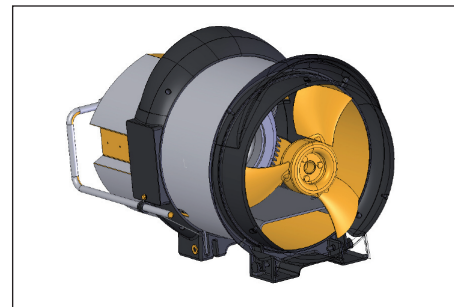
- service socket outlet 230 V
- heating tape for connection block and draining valve
- three-way rotary control for off/light/compressor+light

Technical data

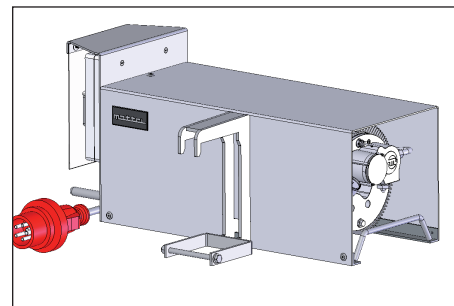
- connection: 1½" fem. KAMLOK air outlet
- energy: 1.5 kW
- cable: 400 V, 63 A plug, 4 m UV protected
- air pressure: 120 l/min. by 10 bar
and output 150 l/min. by 8 bar
- sound level: 64 dB(A)



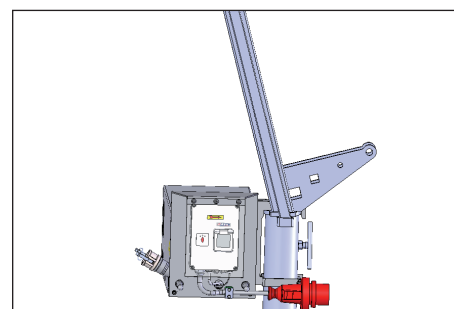
Compressor with mounting bracket incl. electrical box



Compressor



Compressor mounting bracket with carrying handle



Compressor mounting bracket on MAV bracket